

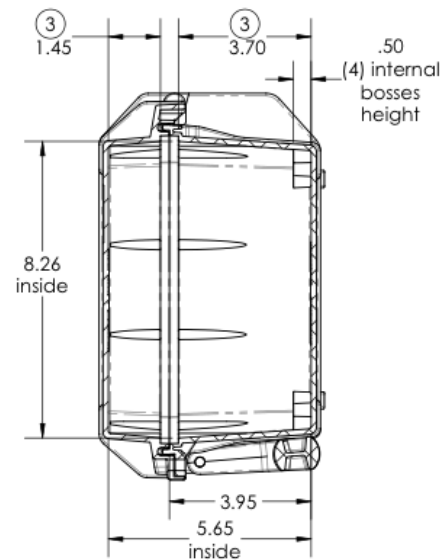
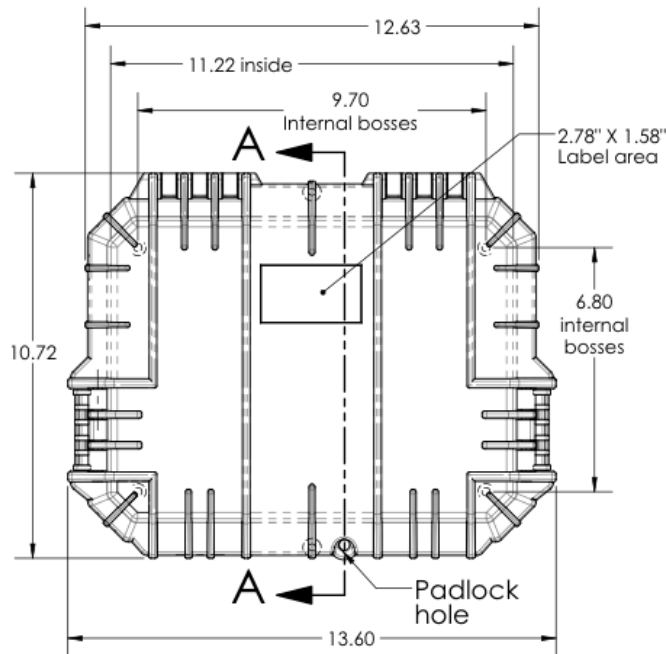
SE430

HARDERBACK

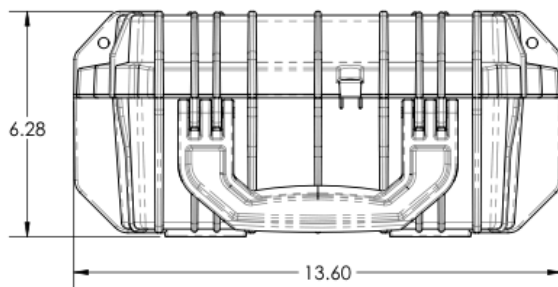
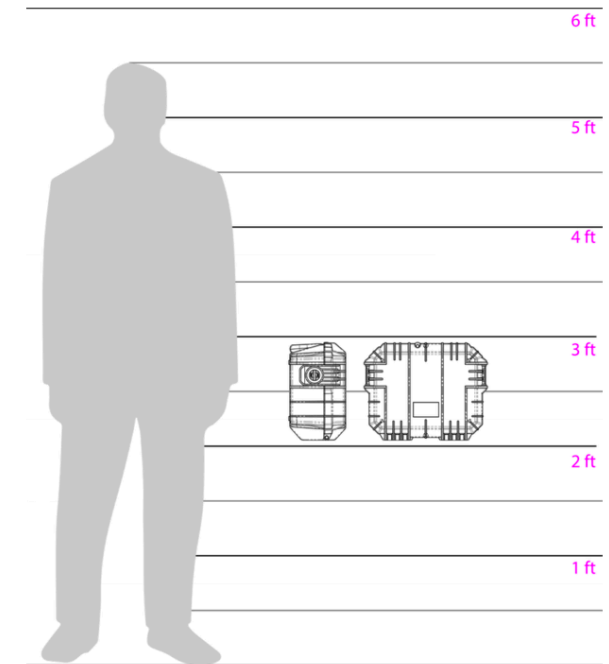
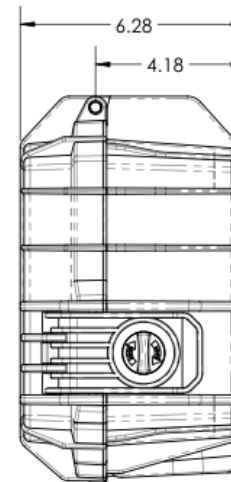
Maletas Industriales | Maletines Militares
Estuches de Protección | Cajas Polipropileno
Mochilas Resistentes | Cajas Biometricas



[Draw]



SECTION A-A
SCALE 1 : 4



NOTES:

- 1) Max. usable inside dimensions are:
11.22" X 8.26" X 5.65" (5.15" top of boss)
dim. are approx.
- 2) Bosses on bottom use a 1/4 self tapping screw.
- 3) Dimensions to bottom of panel flange