

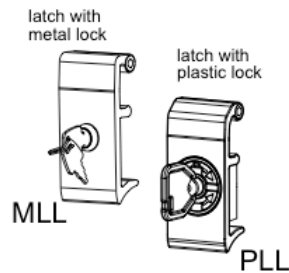
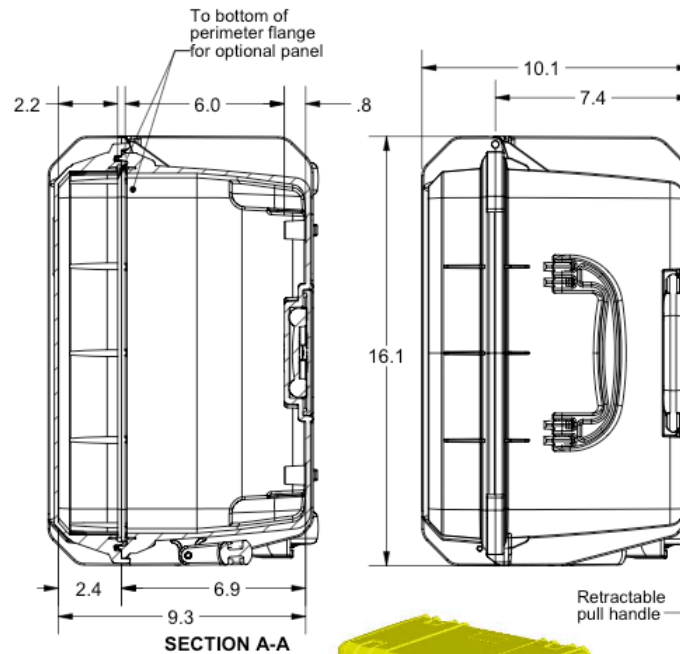
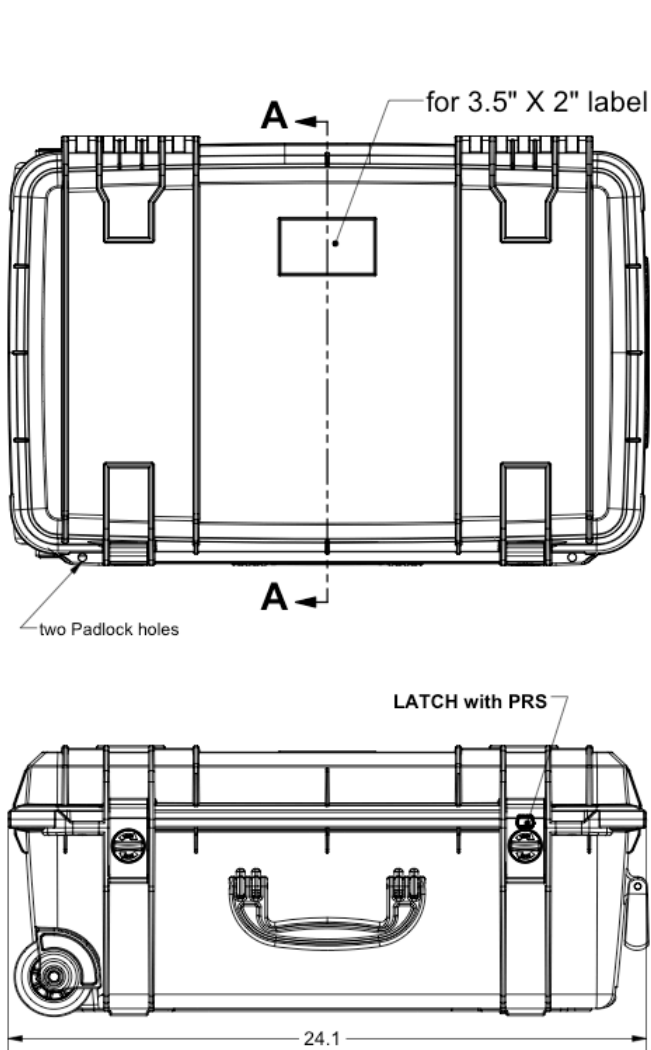
SE920

HARDERBACK

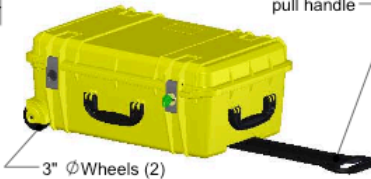
Maletas Industriales | Maletines Militares
Estuches de Protección | Cajas Polipropileno
Mochilas Resistentes | Cajas Biometricas



[Draw]

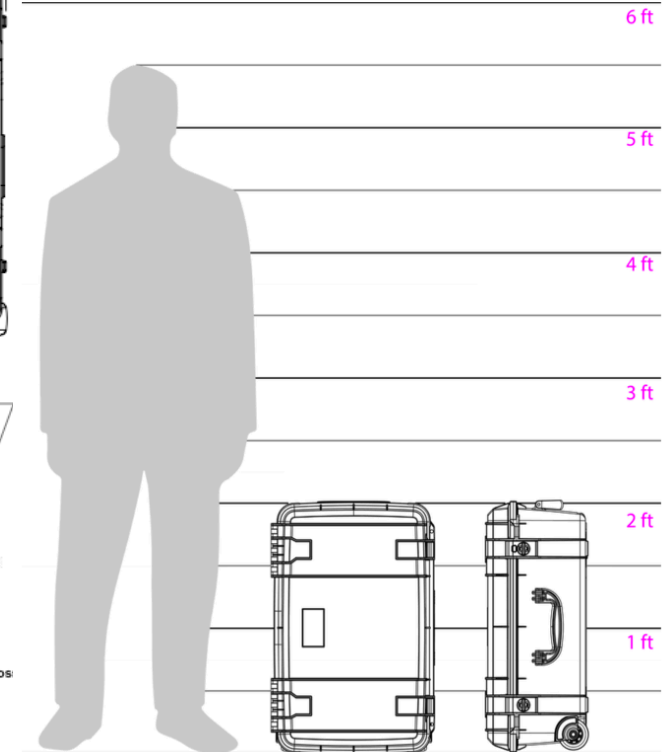


Optional latches must be specified at time of order. See note 2



NOTES:

- 1) Max. usable inside dimensions are: 22 1/8" X 13 1/2" X 8 1/2" (9 5/16" bottom of box (22.1" X 13.5" X 8.5"))
- 2) With Metal Lock Latches p/n SE920ML and Plastic Lock Latches p/n SE920PL are optional.
- 3) Bosses on bottom use a 1/4 self tapping screw.



[México D.F] 55.8851.8726 - 55.8851.8725
[Querétaro] 442.234.1610 - 442.234.1338
www.harderback.com

HARDERBACK